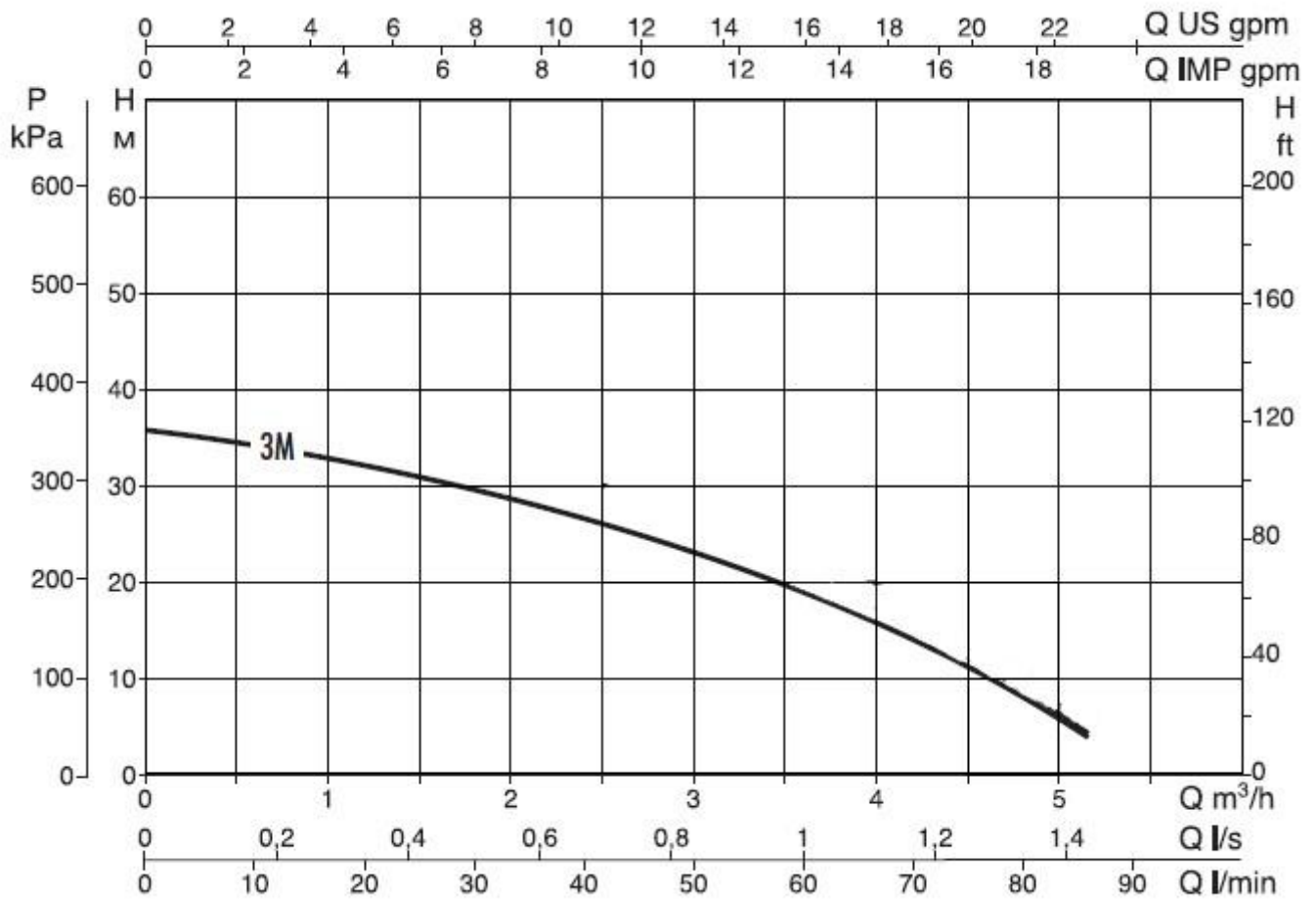
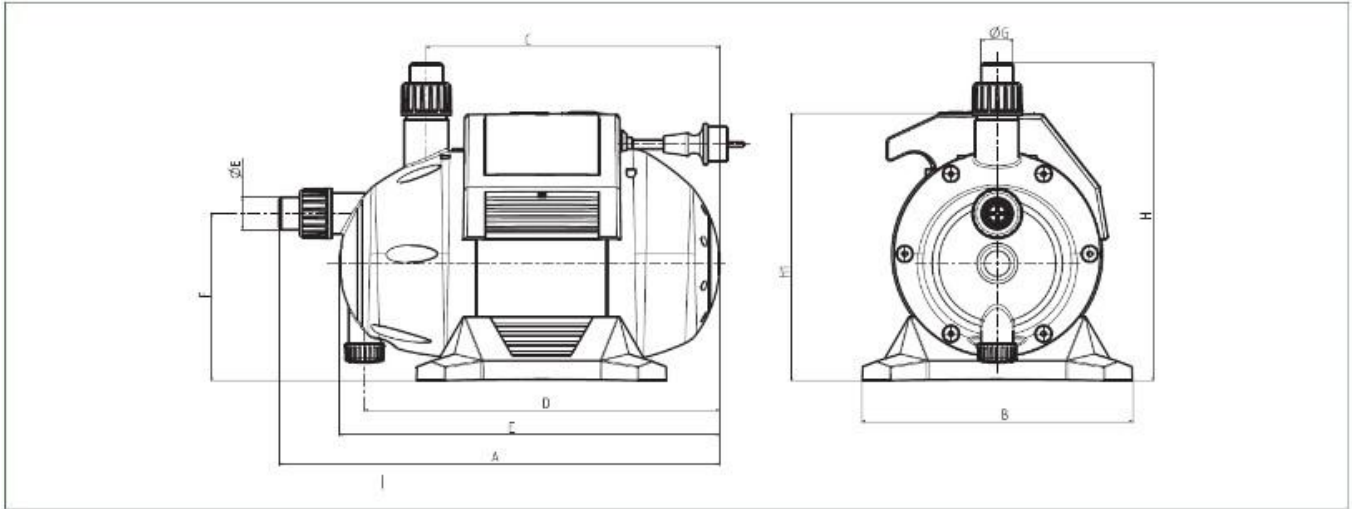


| MODEL | N° IMPELLERS | ELECTRICAL DATA | | | | | HYDRAULIC DATA | | | | | | | | | |
|---------------------------|--------------|------------------|--------------|------------|------|---------|----------------|----|-----|-----|-----|-----|-----|-----|-----|-----|
| | | VOLTAGE 50 Hz | P1 MAX KW | P2 NOMINAL | | In A | Q=m³/h | 0 | 0,6 | 1,2 | 1,8 | 2,4 | 3,0 | 3,6 | 4,2 | 4,8 |
| | | | | Q=l/min | 0 | | 10 | 20 | 30 | 40 | 50 | 60 | 70 | 80 | | |
| BOOSTER SILENT 3 M | 3 | 1 x 230 V ~ | 0,8 | 0,55 | 0,75 | 3,7 | H (m) | 37 | 34 | 32 | 31 | 27 | 23 | 19 | 15 | 8 |





| MODEL | A | B | C | D | E | F | ØG | H | H1 | DNA GAS | DNM GAS | PACKAGING DIMENSIONS | | | WEIGHT Kg |
|---------------------------|-----|-----|-----|-----|-----|-----|----|-----|-----|---------|---------|----------------------|-----|-----|-----------|
| | | | | | | | | | | | | L/A | L/B | H | |
| BOOSTER SILENT 3 M | 455 | 280 | 305 | 370 | 395 | 175 | 33 | 330 | 280 | 1" | 1" | 480 | 300 | 470 | 11,5 |